

A

B

C

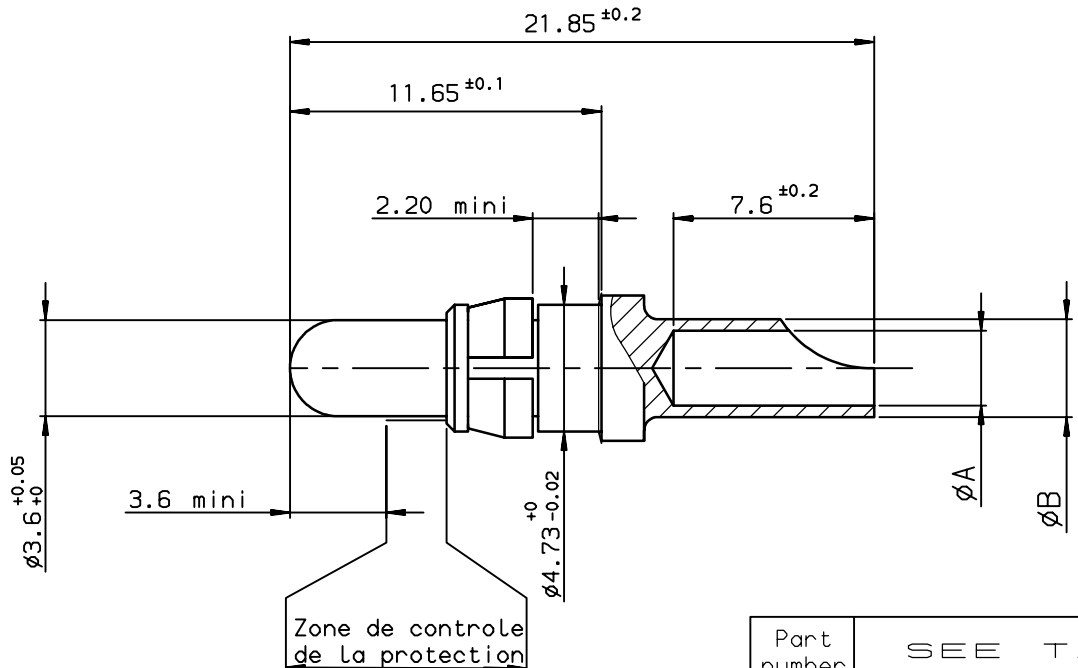
D

A

B

C

D



PLATING
 1μ Ni + 0.4μmini Or

Part number SEE TABLE

8630-3098NLF	Power contact #8	4.40	5.00	3.90	8.98
8630-3056NLF	Power contact #10	2.80	3.65	2.40	3.18
8630-3060NLF	Power contact #12	2.10	3.00	1.70	1.91
8630-3064NLF	Power contact #14	1.70	2.60	1.50	1.34
part numbers	Designation	$\phi A^{+0.10}_0$	$\phi B^{+0.10}_0$	ϕ ame mm	Section mm ² CABLE



Copyright FCI.

NOTE:RoHS INFORMATIONS

- The "LF" product meets European union Directives and other country regulations as described in GS-22-008.
- The product is not intended to be exposed to a manufacturing solder process.
- Packaging spec: see GS-14-920.

rev	ecn no	dr	date
A	LS06-0022	MPE	2006/03/11
B	LS06-0095	LGO	2006/06/23
-	-	-	-
-	-	-	-
-	-	-	-
-	-	-	-

www.fciconnect.com		surface ISO 1302 <input checked="" type="checkbox"/>	tolerance std ISO 406 ISO 1101	projection 	mm
TOLERANCES UNLESS OTHERWISE SPECIFIED					
Dr	M. PESSON	2006/03/11	ANGULAR	0.X ±0.1	size A3
Eng	M. PESSON	2006/03/11	LINEAR	0.XX ±0.1	Scale 5
Chr	LEGARRE	2006/03/11	0.XX ±2'	0.XXX ±0.1	ECN LS06-0095
Appr	LEGARRE	2006/03/11	Product family	D-SUB	Spec ref -
FCI			PIN POWERS CONTACTS		Rev. B
title -			catalog no		dwg no C01-8639-2160
CUSTOMER					sheet 1 of 1